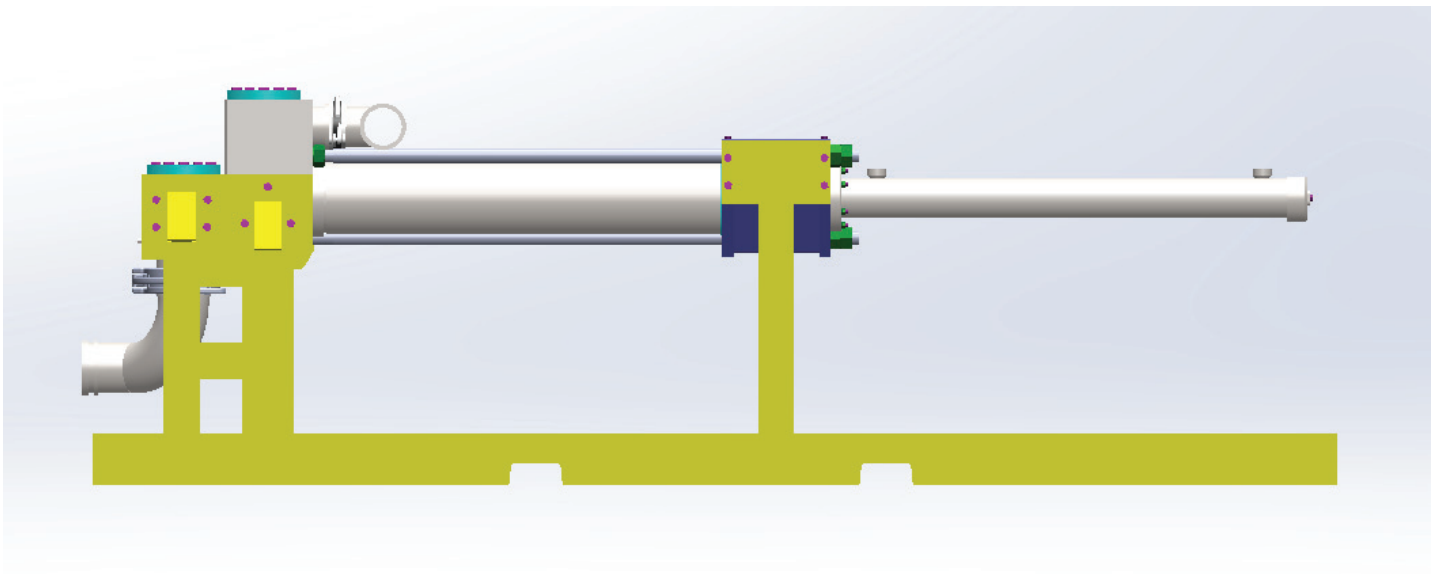


ETP Cementitious Grouting & Drilling Mud Pump can also be used for:

- Mortar Injection
- Removing slurry from tunnel
- Pressure grouting



Note: All views are simplified. All details are not shown.

Type	Output m ³ /h	Installed Power kW	Pressure bar	Delivery Cylinder Length mm	Delivery Cylinder Ø mm	Inlet Dia / Outlet Dia Inch	Length (A) mm	Weight kg
ETP10	10	22	50	500	180	5" / 4"	2400	1880
ETP30	30	37	50	1000	180	5" / 4"	3400	2160
ETP45	45	45	50	1250	180	5" / 4"	3900	2300

